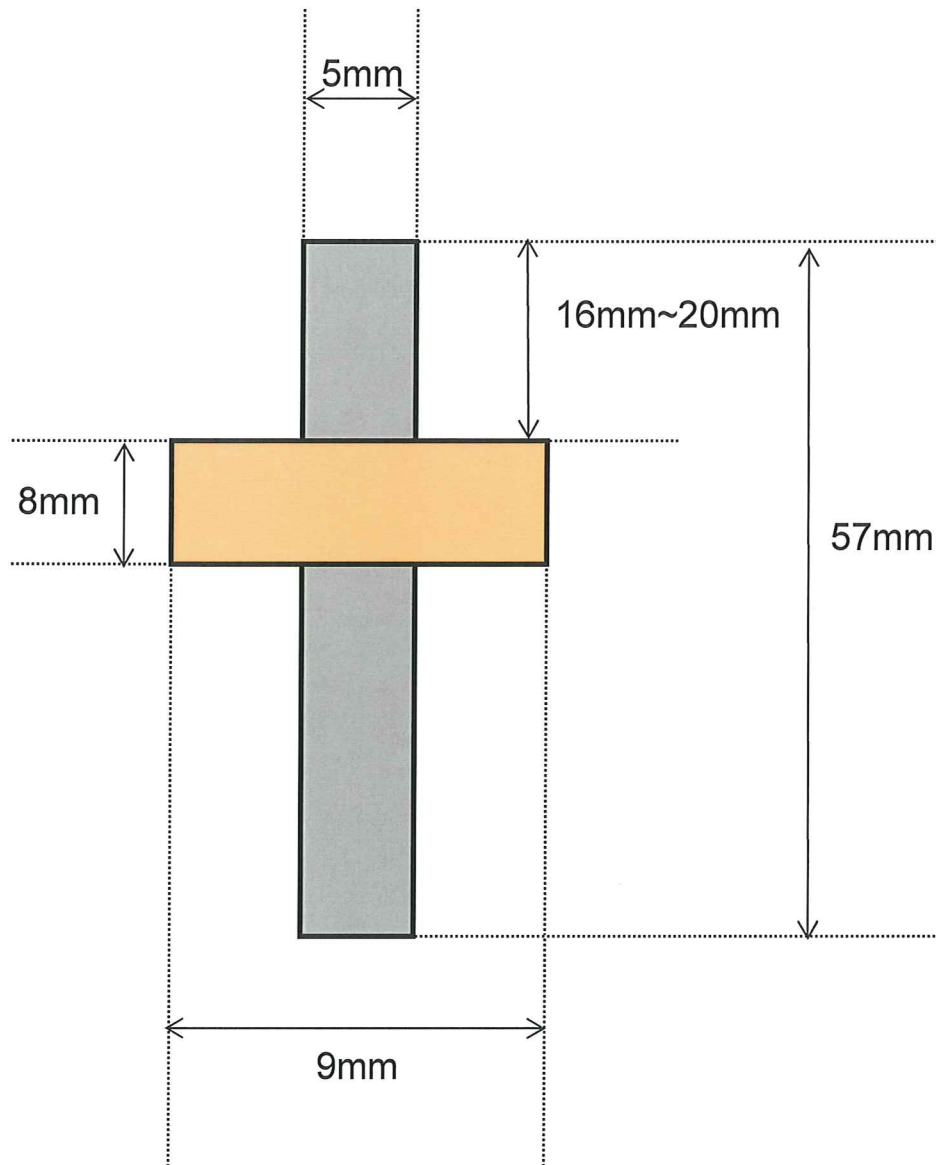


## Pre-taped tab



Al, Ni-plated Cu. Ni: 0.1mmT  
Sealant: PPaN

\*Sizes are subject to change